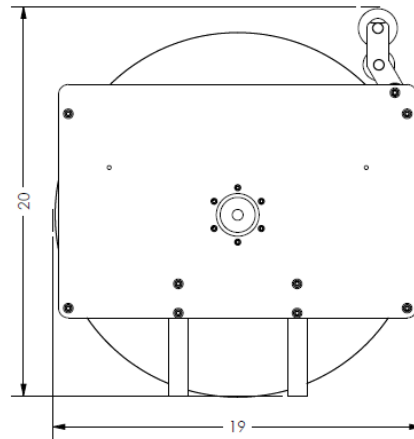
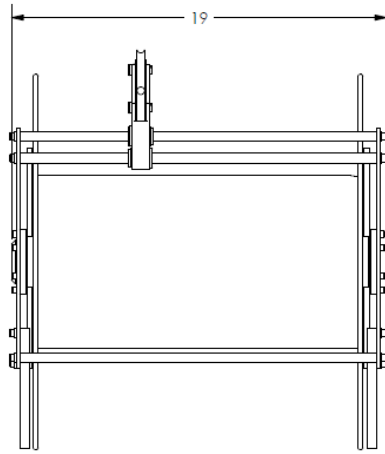


Seamor Manual Reel



Manual Reel Specifications

Seamor manufactures its portable tether management reels from high grade aluminum and stainless steel. Each reel is housed in a Pelican Case for ease of transport and storage with the reel being easily removed for deck-mounting. The Seamor Manual Reel is a lightweight, compact standard option for any Seamor ROV but can also be customized to suite almost any tether that requires protection and/or surface management.

Part Number	SM4100
Material	Black powder coated aluminum Stainless steel
Slip ring Passes	24 standard - custom slip rings available
Tether Capacity	365m/1200ft @ 10mm/0.4in diameter
Reel Weight in Air	11.3kg/25lbs (reel only)
Reel Length	19in/485mm
Reel Width	19in /485mm
Reel Depth	20in/510mm
Case Weight in Air	11.8kg/26lbs (0350 Pelican Case only)
Case Length	22.5in/565mm
Case Width	22.43in/570mm
Case Depth	21.25in/540mm
Deck Cable	4m/12ft standard or user defined
Handle	Detachable



Seamor Marine manual reels come with a limited 24 month Seamor Warranty and are housed in a Pelican Case with a limited lifetime warranty.

*For more information, contact Seamor Marine Ltd. directly or speak with your local Seamor ROV authorized representative.
sales@seamor.com | www.seamor.com | P.250-729-8899*

